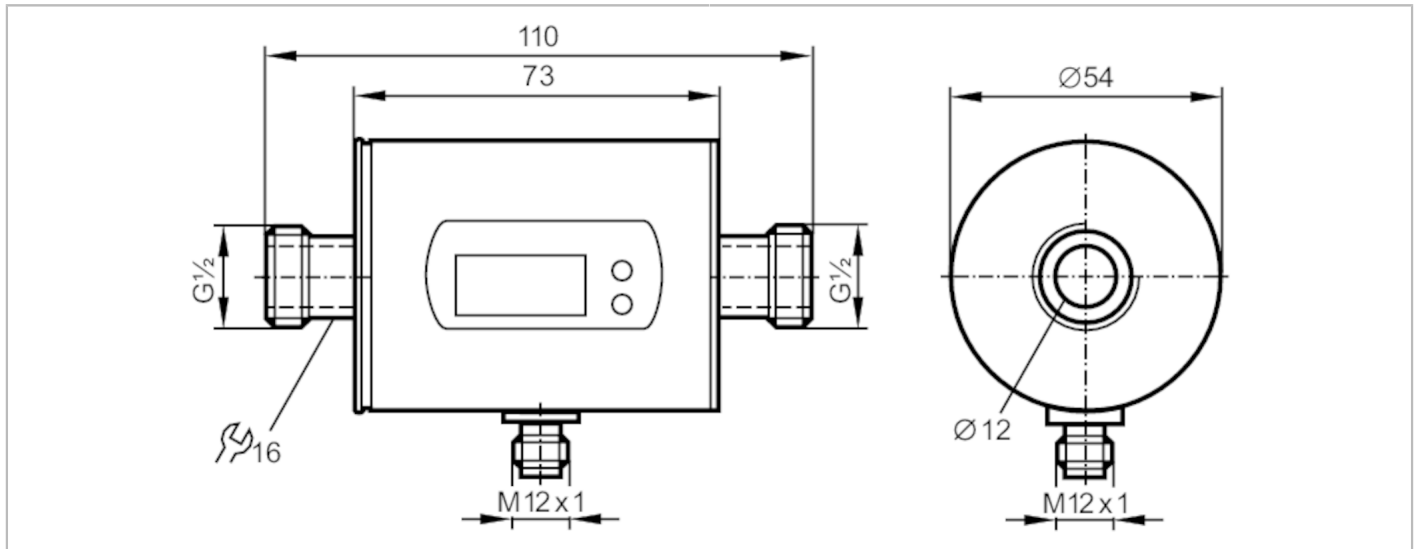


SM6004



Magnetic-inductive flow meter

SMR12GGX50KG/US-100



Product characteristics

Number of inputs and outputs	Number of analogue outputs: 2	
Measuring range	0.1...25 l/min	0.03...6.6 gpm
Process connection	threaded connection G 1/2 external thread DN15 flat seal	

Application

Special feature	Gold-plated contacts	
Application	for industrial applications	
Installation	connection to pipe by means of an adapter	
Media	conductive liquids; water; hydrous media	
Note on media	conductivity: $\geq 20 \mu\text{S/cm}$ viscosity: $< 70 \text{ mm}^2/\text{s}$ (40 °C)	
Medium temperature [°C]	-10...70	
Pressure rating	16 bar	1.6 MPa
MAWP for applications according to CRN	15.3 bar	1.53 MPa

Electrical data

Operating voltage [V]	20...30 DC; (to SELV/PELV)	
Current consumption [mA]	120; (24 V)	
Protection class	III	
Reverse polarity protection	yes	
Power-on delay time [s]	5	
Measuring principle	magnetic-inductive	

Inputs / outputs

Number of inputs and outputs	Number of analogue outputs: 2	
------------------------------	-------------------------------	--

Outputs

Total number of outputs	2	
Output signal	analogue signal	
Number of analogue outputs	2	

SM6004



Magnetic-inductive flow meter

SMR12GGX50KG/US-100

Analogue current output	[mA]	4...20; (scalable)
Max. load	[Ω]	500
Overload protection		yes

Measuring/setting range

Measuring range	0.1...25 l/min	0.03...6.6 gpm
Display range	-30...30 l/min	-7.92...7.92 gpm
Resolution	0.05 l/min	0.01 gpm
Analogue start point ASP	0...20 l/min	0...5.28 gpm
Analogue end point AEP	5...25 l/min	1.32...6.6 gpm
In steps of	0.02 l/min	0.01 gpm

Temperature monitoring

Measuring range	[°C]	-20...80
Resolution	[°C]	0.2
Analogue start point	[°C]	-20...60
Analogue end point	[°C]	0...80
In steps of	[°C]	0.2

Accuracy / deviations

Flow monitoring		
Accuracy (in the measuring range)		± (2 % MW + 0,5 % MEW)
Repeatability		± 0,2% MEW
Temperature monitoring		
Accuracy	[K]	± 2,5 (Q > 1 l/min)

Response times

Flow monitoring		
Response time	[s]	0.15; (dAP = 0, T19)
Damping process value dAP	[s]	0...3
Temperature monitoring		
Dynamic response T05 / T09	[s]	T09 = 20 (Q > 1 l/min)

Operating conditions

Ambient temperature	[°C]	-10...60
Storage temperature	[°C]	-25...80
Protection		IP 67

Tests / approvals

EMC	DIN EN 60947-5-9	500 V withstand voltage (V DC)
CPA approval	model number	008MI
	accuracy class	-
	maximum allowable error	± 2,5 % FS
	Q (min)	0,005 m³/h
	Q (t)	-
	Q (max)	1,5 m³/h
Shock resistance	DIN IEC 68-2-27	20 g (11 ms)
Vibration resistance	DIN IEC 68-2-6	5 g (10...2000 Hz)
MTTF	[years]	175
Pressure Equipment Directive	Sound engineering practice; can be used for group 2 fluids; group 1 fluids on request	

SM6004



Magnetic-inductive flow meter

SMR12GGX50KG/US-100

Mechanical data	
Weight [g]	481.5
Housing	cylindrical
Dimensions [mm]	Ø 54 / L = 110
Materials	stainless steel (316L/1.4404); PBT-GF20; PC; FKM; TPE
Materials (wetted parts)	stainless steel (316L/1.4404); PEEK; FKM
Process connection	threaded connection G 1/2 external thread DN15 flat seal

Displays / operating elements		
Display	Display unit	6 x LED, green (l/min, m³/h, gpm, gph, °C, °F)
	measured values	alphanumeric display, 4-digit
	programming	alphanumeric display, 4-digit
Display unit	l/min; m³/h; gpm; gph; °C; °F	

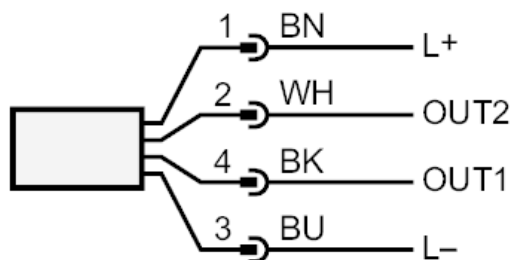
Remarks	
Remarks	MW = measured value MEW = Final value of the measuring range
Pack quantity	1 pcs.

Electrical connection

Connector: 1 x M12; coding: A; Contacts: gold-plated



Connection



OUT1: colours to DIN EN 60947-5-2
 analogue output Temperature monitoring
 OUT2: analogue output volumetric flow quantity monitoring
 Core colours :
 BK = black
 BN = brown
 BU = blue
 WH = white

SM6004

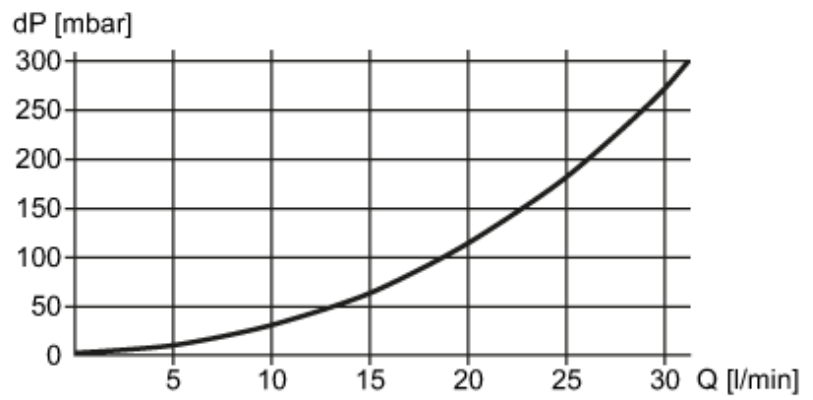


Magnetic-inductive flow meter

SMR12GGX50KG/US-100

Diagrams and graphs

Pressure loss



dP Pressure loss

Q volumetric flow quantity